



Wall hung boilers
with storage tank

PLANET DEWY 30/50

- **Condensing wall hung up to 97% efficiency**
- **Full gas/air modulation**
- **Combi, provides heating and DHW**
- **50 litre storage tank built in**
- **DHW re-circulation ready**
- **Built-in circulator, expansion tank and air eliminator**
- **Stainless steel heat-exchanger**
- **Available in natural gas and LP gas**



**sime**[®]



PLANET DEWY 30/50

Comfort in store

Those who chose a boiler with a storage tank are choosing the ease and comfort of a large hot water reserve. **Planet Dewy** is the new wall-mounted high efficiency condensing boiler with storage tank from Sime.

Equipped with an integrated tank in stainless steel of 50 litre capacity, **Planet Dewy** is the ideal solution for those with multiple hot water outlets providing higher flow rates than a normal combi

boiler.

The technological characteristics of the **Planet Dewy** allow for excellent performance while respecting the environment by saving energy and reducing polluting emissions.

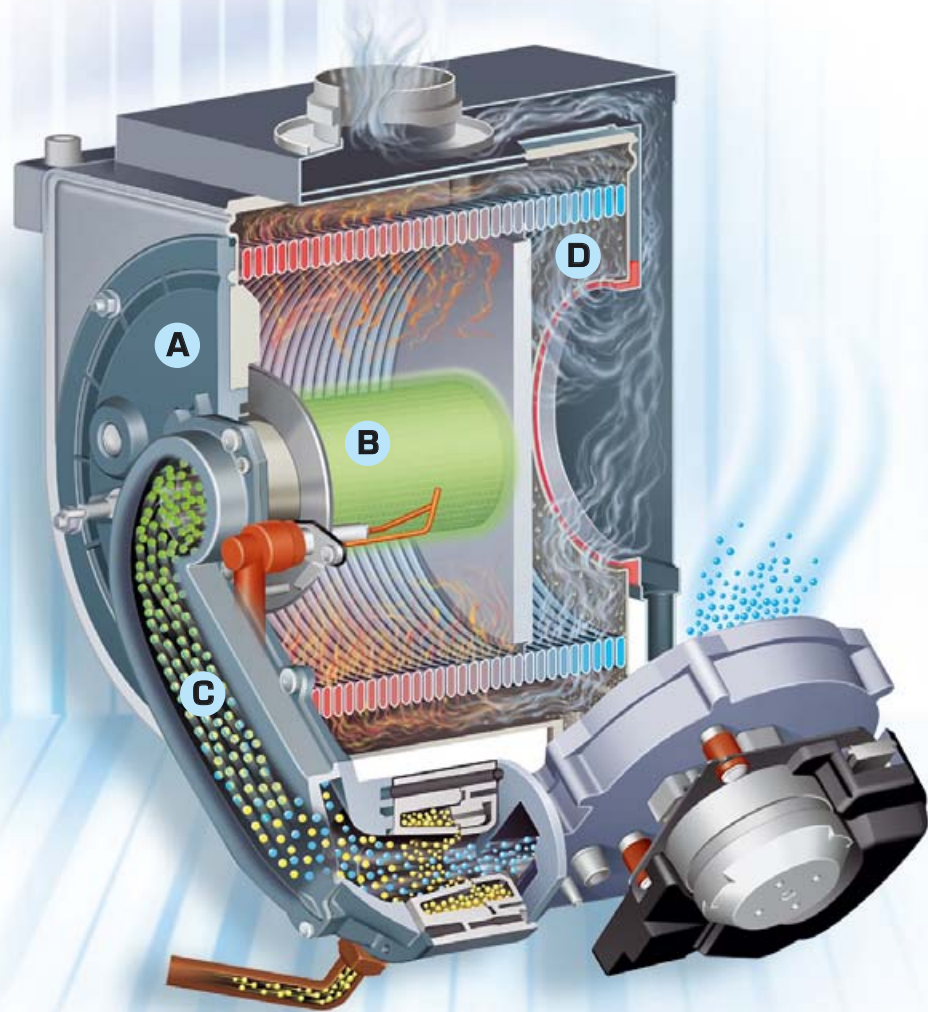
Available in one 30 kW (100 kBtu/h) version, **Planet Dewy** combines high efficiency performance with the availability of abundant hot water for domestic use instantaneously.

A green heart

At the heart of the **Planet Dewy** boiler is a combustion system that ensures the highest efficiency by extracting the most heat possible from the burnt gas.

Planet Dewy has an efficiency of up to 97%

efficiency with annual efficiencies well above 90%. The advanced system also means pollution emissions are kept to a minimum for a greener environment. The NOx emissions are well within the limits set by regional standards.



The pre-mixed condensation system of the Planet Dewy 30/50

- A** The main heat exchanger is manufactured in high quality stainless steel (AISI 316 LC) to resist the corrosive action of the condensation that is produced. Its cylindrical shape, as well as efficiently collecting the condensate liquid, ensures the best possible heat exchange takes place.
- B** The pre-mixed burner, also in stainless steel, is cylindrical and positioned radially in the combustion chamber. Its `micro-flame` feature allows for a lower operating surface temperature which reduces significantly the amount of polluting emissions (nitrous-oxide) produced.
- C** Air and gas for combustion are introduced into the burner manifold pre-mixed in an ideal balance.
- D** The recovery of normally wasted energy occurs where the water vapour, present in the hot flue gases, condenses as it contacts the cooler surface created by the return water from the heating system.

Safety and efficiency with stainless steel

Planet Dewy 30/50 storage combination system incorporates this clever all-in-one designed tank manufactured in high quality stainless steel harmonising security and efficiency.

The particular shape of the tank with double coil and a capacity of 50 litres (13 USgal), satisfies the

highest demands for hot water and heating whilst reducing energy consumption allowing a powerful high exchange that fully recharges the store in approximately 6 minutes.

Stainless steel is synonymous of reliability, less exposure to corrosion and increased hygiene.



The D.H.W. storage tank of the Planet Dewy 30/50

Planet Dewy 30/50: meets all requirements

Committed to providing a range of boilers that meets all types of installation requirements, leading Italian boiler manufacture, Sime, has launched **Planet Dewy 30/50**.

This boiler provides all the performance of a hot water storage system with all the convenience of an instantaneous water heater. It truly is the best of both worlds as it offers both energy efficiency, and space saving opportunity.

It also comes equipped with integrated recirculation capability. Each unit comes with threaded connections on the storage tank to connect a recirculation line. No recirculation

capability is a common problem with instantaneous water heaters, but is a problem no more.

It also features a safety valve, auto air vent, Grundfos pump and built-in frost protection. For simplicity of operation, it incorporates easy-to-use controls with a series of LED lights that indicate boiler function modes and assists with fault finding. Central heating, Instantaneous hot water on demand, 50 litre (12 USgal) storage capacity, all packaged up in a high efficient condensing wall hung boiler.... The **Planet Dewy 30/50** from SIME.

Logica Remote Control - Intelligent control

Planet Dewy 30/50's output is enhanced by using **Logica Remote Control** heat control with external probe. This is a simple, effective system which optimises the system's control, helping improve performance and reduce consumption.

With Logica Remote Control and external probe it is possible to:

- ▶ Control all boiler functions at a distance
- ▶ Use the thermostat timer system, with three operating temperatures
- ▶ Control the system in relation to the outside temperature (with optional probe)
- ▶ Control boiler temperature through time programming
- ▶ Periodically raise the storage tank temperature to eliminate any pathogens (legionella control function)
- ▶ Signal any malfunctions, identifying the cause
- ▶ Anticipate and compensate for both external climate variations and external heat contributions (self learning function)
- ▶ Limit heating during the day or long periods when the outside temperature is higher than the room temperature (ECO function)
- ▶ Vary room temperature by simple control adjustment, without modifying set programmes
- ▶ Interrupt the set programme for a holiday period, with automatic reset on return.



Simplicity, design and performance

The elegant and unmistakable aesthetic of **Planet Dewy 30/50** is aimed above all else at easy use. The diagnostic is advanced and easy to

understand. The temperature and pressure of the system are indicated through the indicator lights that are always visible on the command panel.



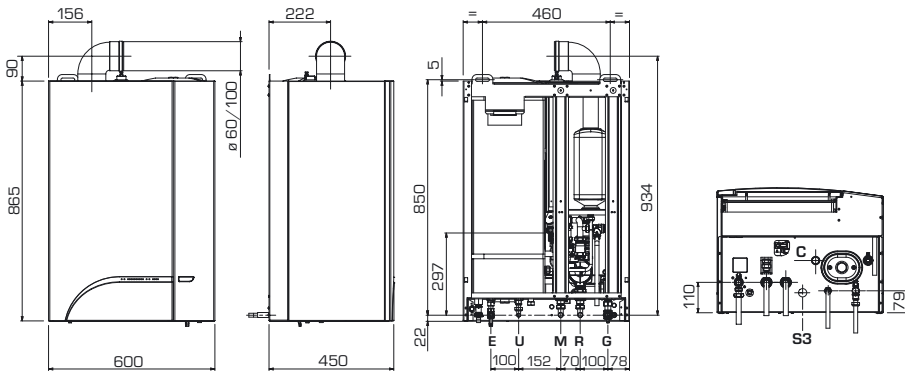
List of functions / instruments

- | | |
|-----|---|
| ▶ 1 | Time clock – plug-in option |
| ▶ 2 | Rotary switch (off, summer, winter, boiler reset) |
| ▶ 3 | C.H. temperature control |
| ▶ 4 | D.H.W. temperature control |
| ▶ 5 | Temperature display and fault indicators |
| ▶ 6 | Water pressure display |

Technical features

		Planet Dewy 30/50
Maximum input	kW (Btu/h)	32,8 (112.000)
Minimum input	kW (Btu/h)	8,0 (27.000)
Maximum output (60-80 °C)	kW (Btu/h)	29,2 (100.000)
Minimum output (60-80 °C)	kW (Btu/h)	7,6 (26.000)
Maximum output (30-50 °C)	kW (Btu/h)	32,2 (110.000)
Minimum output (30-50 °C)	kW (Btu/h)	8,4 (29.000)
Water content	litres (USgal)	10,0 (2,6)
Electrical power consumption	W	160
Maximum C.H. pressure	bar (psi)	3 (44)
C.H. Expansion vessel		
Capacity	litres (USgal)	10 (2,6)
Precharging pressure	bar (psi)	1 (15)
C.H. setting range	°C (F)	20÷80 (68÷176)
D.H.W. setting range	°C (F)	30÷60 (86÷140)
D.H.W. production		
Continuous D.H.W. flow rate Δt 30°C	l / min (USgal/min)	14,3 (3,78)
Maximum D.H.W. pressure	bar (psi)	7 (101)
Storage tank capacity	litres (USgal)	50 (13,2)
D.H.W. expansion vessel capacity	litres (USgal)	2 (0,5)
Weight	kg (lb)	70 (154,3)

Dimensions - Connections



Connections

M	C.H. flow	3/4"
R	C.H. return	3/4"
G	Gas connection	3/4"
E	D.H.W. inlet	1/2"
U	D.H.W. outlet	1/2"
C	Recirculation	1/2"
S3	Condensation outlet	ø 25

Main features

	Planet Dewy 30/50
Frost stat built-in	▲
10 year warranty heat exchanger	▲
Heating by-pass fitted	▲
Plug in clock option	▲
No compartment ventilation required	▲
Pre-wired electrical lead	▲
Full gas/air modulation	▲
Extended warranty options	▲
IPX4D electrical protection	▲
Combustion test facility	▲
Ready for installation of Logica Remote Control and external sensor (optional)	▲
C.H. and D.H.W. circulating pump with air separator	▲
D.H.W. expansion vessel	▲

We pursue a policy of continuing improvement in design and performance of our products. The right is therefore reserved to vary specifications without notice.

North American Distribution by:

Agent / Representative:



THERMALhydronic
SUPPLY LTD.

101 SHARER ROAD,
WOODBRIDGE, ONTARIO,
L4L 8Z3 CANADA
TEL: 905+265-1627
FAX: 905+265-9739
www.thermalhydroniccs.com